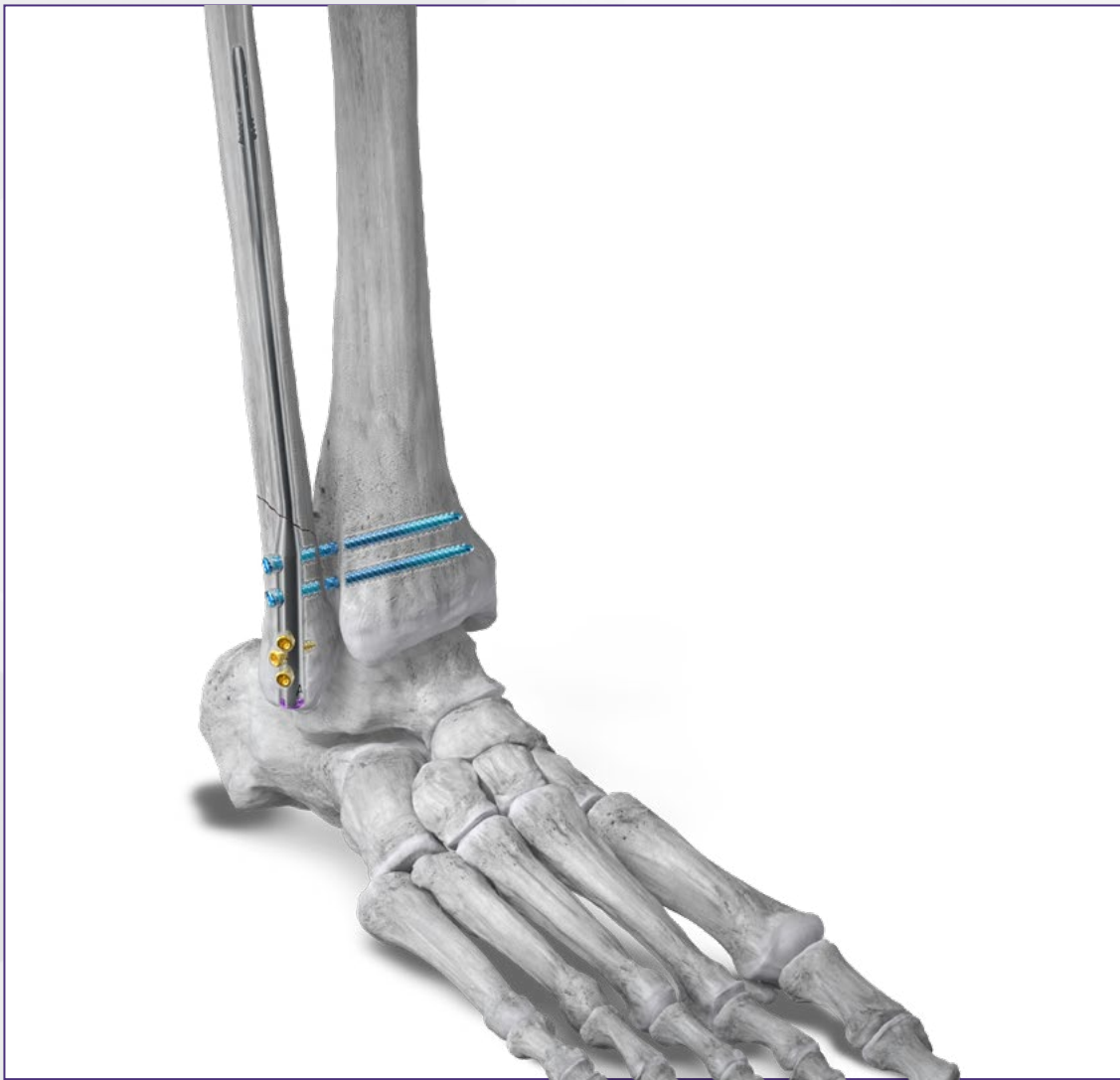


PHANTOM[®]

FIBULA NAIL SYSTEM

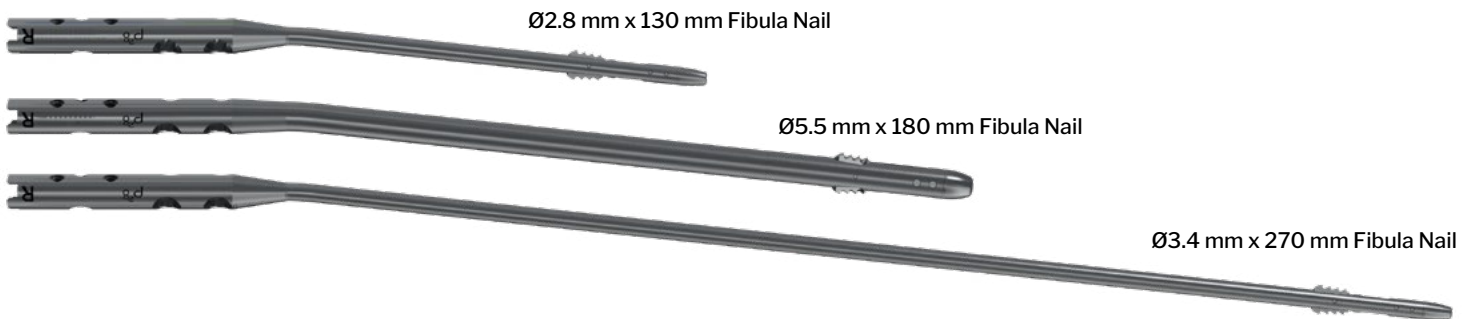
Phantom[®] Fibula Nail System



SYSTEM ADVANTAGES

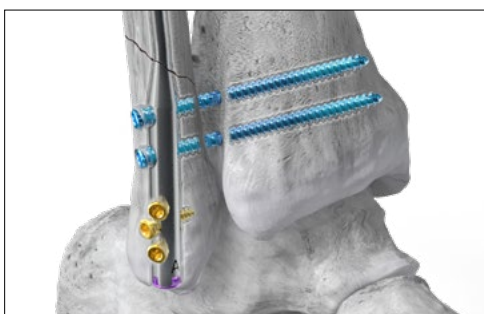
- ▶ Type 2 Anodized Titanium Implants for increased strength in multiple diameters and lengths to accommodate various patient anatomies
- ▶ Threaded distal locking holes in Nail help prevent screw backout or migration
- ▶ Multiple syndesmotic fixation options with P28 (R3FLEX, R3ACT, 3.5mm Static Locking Screws) to accommodate surgeon preference and patient need
- ▶ Proximal wings expand up to 1 mm on either side to prevent rotation and potential fracture collapse – may be retracted to accommodate removal
- ▶ Entry k-wire guide to help optimize the start point and subsequent nail placement
- ▶ Opening reamer contains notches for syndesmotic fixation and hash marks for countersinking depth
- ▶ Curved reamer guide to help centralize pilot hole proximal reamer into shaft of fibula
- ▶ Outrigger k-wire hole to show distal tip of the nail in the fibula
- ▶ Outrigger options to apply traction and hold rotation after nail insertion
- ▶ Multiple nail cap sizes to add nail length if syndesmotic fixation requires countersinking
- ▶ Includes both easy outs as well as a removal hook pin to facilitate efficient removals

PHANTOM FIBULA NAIL SIZE OFFERINGS

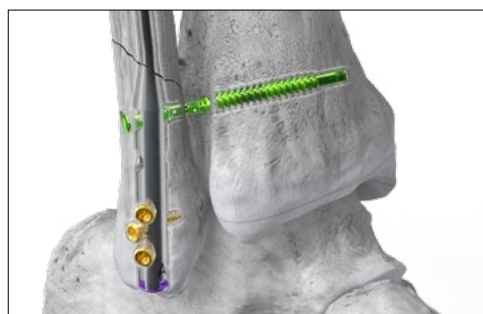


		Fibular Nail Diameter Options			
		Ø2.8 mm	Ø3.4 mm	Ø4.0 mm	Ø5.5 mm
Fibular Nail Length Options:	130 mm	●	●	●	●
	180 mm	●	●	●	●
	270 mm		●	●	

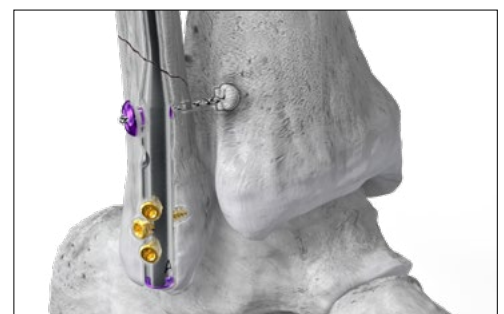
PHANTOM FIBULA NAIL P28 SYNDESMOTIC OPTIONS:



3.5mm Screw



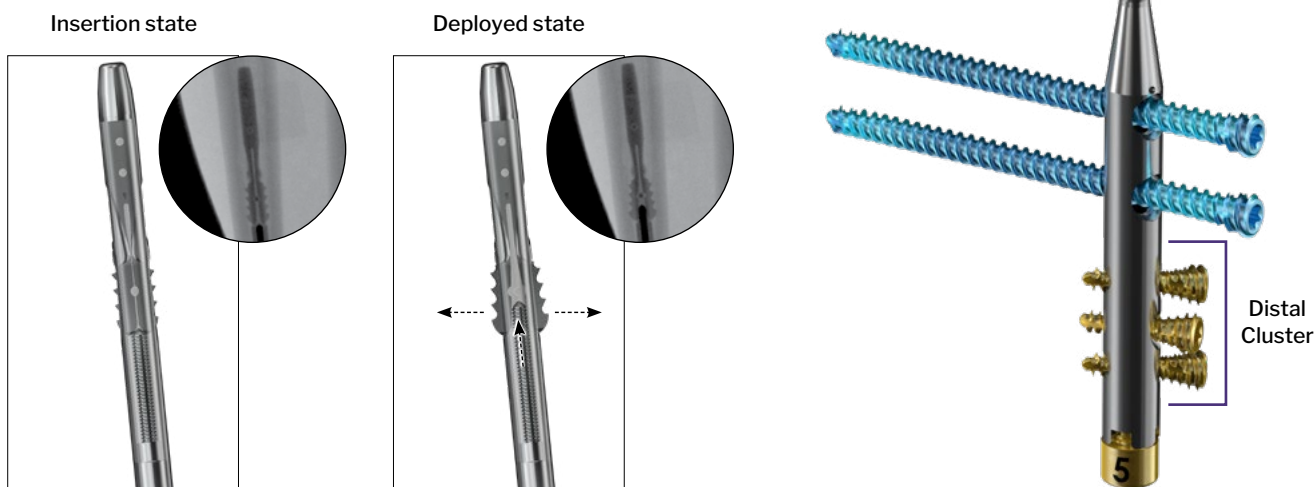
R3ACT Syndesmotic Screw



R3FLEX Stabilization System

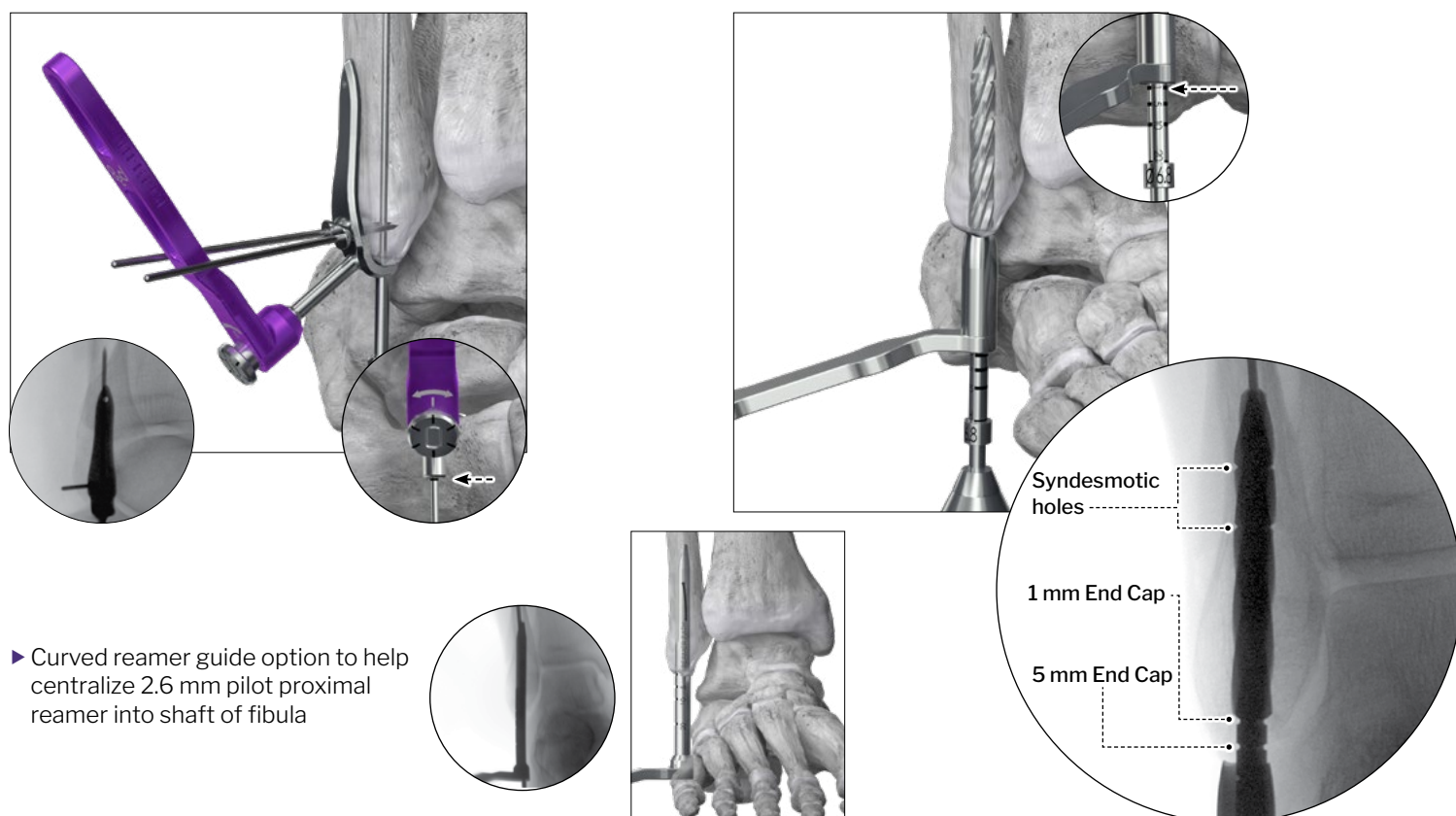
PHANTOM FIBULA NAIL DISTAL AND PROXIMAL LOCKING OPTIONS:

- ▶ 2.7 mm screws that interlock with the nail to secure the distal segment of the fibula with the nail
- ▶ Proximal locking options that deploys up to 1 mm on each side to help prevent rotation and potential fracture collapse



DIFFERENTIATED INSTRUMENTATION:

- ▶ Entry K-wire Guide helps optimize starting point and subsequent nail placement
- ▶ Opening Distal Reamer that contains notches that help locate syndesmotic fixation holes under fluoroscopy and hash marks to identify depth if countersinking is necessary

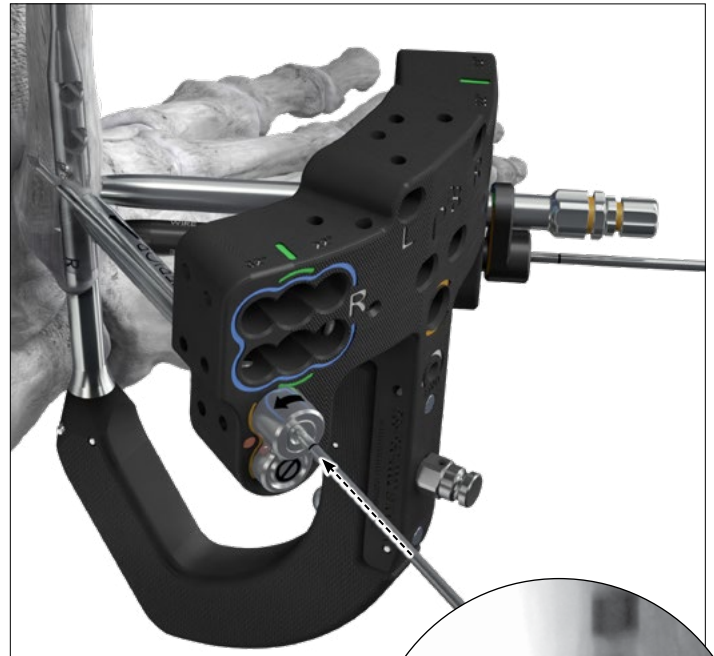


Outrigger that offers:

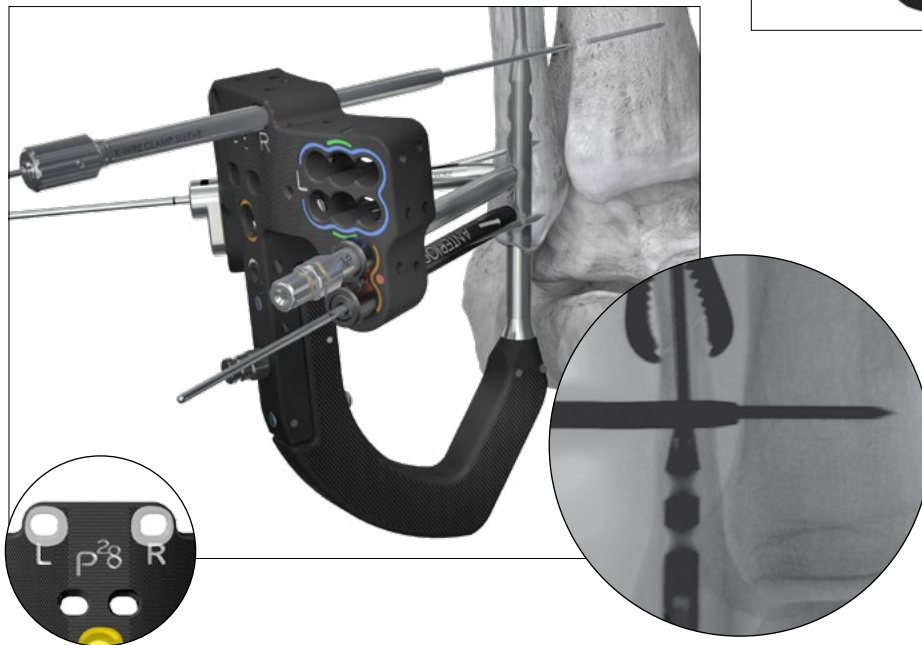
- ▶ K-wire targeting hole to locate the end of the nail




- ▶ Curved k-wire guides that allow for k-wires to be inserted around the nail to help pull traction if fracture shortens after nail insertion



- ▶ Locking k-wire clamps sleeve that allows for tibial wire insertion to help hold rotation



PFN-BRO-01 Rev A
2024-09-26

Paragon 28°, Inc. 
14445 Grasslands Dr.
Englewood, CO 80112 USA
(855) 786-2828

Paragon 28° Medical Devices Trading Limited
First Floor Block 7 Beckett Way
Park West Business Park
Dublin 12
D12 X884
Ireland
+353 (0) 1588 0350

™Trademarks and ®Registered Marks of Paragon 28°, Inc.
© Copyright 2024 Paragon 28°, Inc. All rights reserved.
Patents: www.paragon28.com/patents

Exclusively foot & ankle ²⁰
Paragon®

www.Paragon28.com

For the contraindications, potential complications and adverse reactions, warnings and precautions associated with this device, please refer to the device specific instructions for use at <http://www.paragon28.com/ifus>